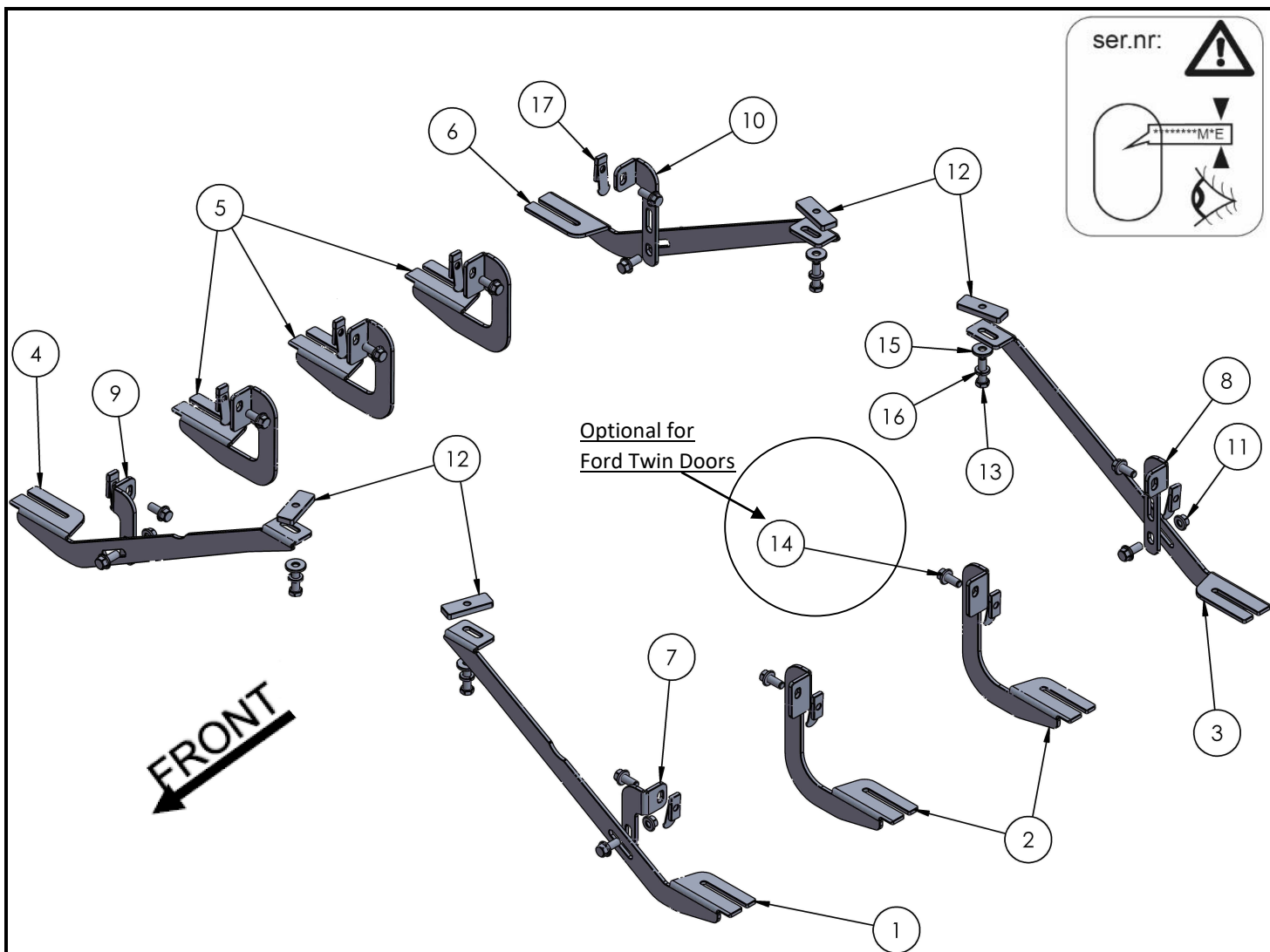




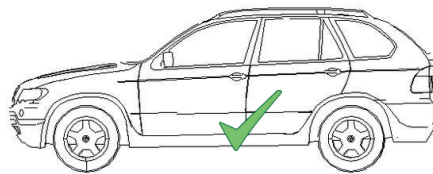
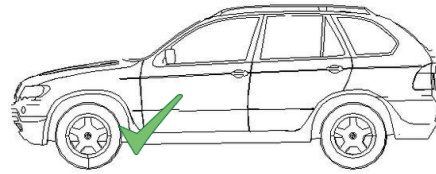
3024-3025-3026-3027-3028 – MERCEDES
SPRINTER (SWB-MWB-LWB) 2007-2018

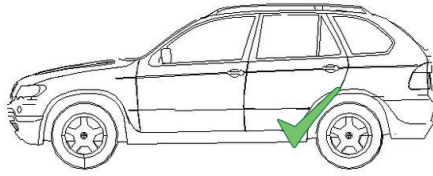
PRODUCT/ÜRÜN : 850 – AB - NS



ITEM NO.	PART NUMBER	QTY.
1	J13025850F0 Driver Front Bracket	1
2	J13025850CL0 Driver Middle Bracket	2
3	J13025850B0 Driver Rear Bracket	1
4	J13025850F0 Passenger Front Bracket	1
5	J13025850CR0 Passenger Middle Bracket	3
6	J13025850B0 Passenger Rear Bracket	1
7	J13025150F1 Driver Front Support Bracket	1
8	J13025150B1 Driver Rear Support Bracket	1
9	J13025150F1 Passenger Front Support Bracket	1
10	J13025150B1 Passenger Rear Support Bracket	1
11	M10 Flange Hex Nut	4
12	HTCOR3 M10 t=8mm	4
13	M10x40 Hex Bolt	4
14	M10x25 Flange Hex Bolt	13
15	M10 Wide Washer	4
16	M10 Spring Washer	4
17	HTC 311 - M8 (21,3 x 11,75)	9

ALUMINIUM	STEEL
M6 = 4,5 Nm	M6 = 10 Nm
M8 = 10 Nm	M8 = 25 Nm
M10 = 20 Nm	M10 = 50 Nm





3024-3025-3026-3027-3028 – MERCEDES
SPRINTER (SWB-MWB-LWB) 2007-2018

